

E-Box

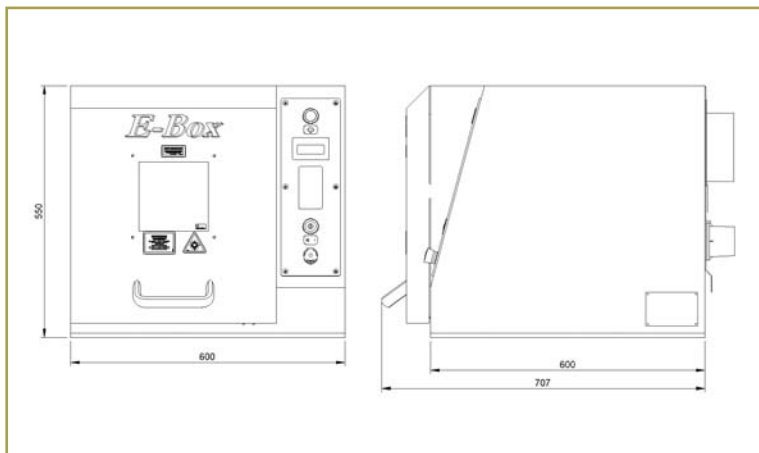
packaged laser marking system

marking area parameters

flat field lens focal length	maximum square marking field	maximum marking diameter	working distance
163 mm	100 mm	140 mm	184 mm

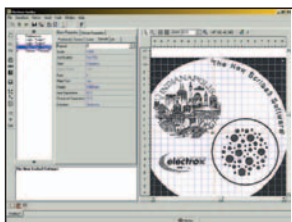
dimensions

	Height (mm)	Length (mm)	Width (mm)	Weight (kg)
Laser Enclosure	550	600	707	65
Control Unit	535	267	552	32



software

Electrox laser marking software has been developed in conjunction with E-Box to ensure optimum marking performance.



- Fast file transfer to the laser
- File import formats: PLT (HPGL), AI, DXF, PNL (Electrox), BMP, TIFF
- Bar Codes
- Two Dimensional Codes including Data Matrix
- Automatic Serialisation
- File Input Programming (Mail Merge)
- Date Coding
- Fill Editor
- Motion Control (4 Axis)
- Multiple I/O Interface

Electrox Razor, Scorpion, Raptor, Scorpion Rapide, E-Box, MaxBox, EF Technology, Scriba and Cobra are registered trademarks of 600 UK Limited. Electrox has a policy of continuous product development and improvement and reserves the right to modify designs and specifications without notice.

laser specification

Laser type – EF Technology or Yb: Fiber
Wavelength – 1060 - 1080nm
Pulse frequency – CW, 0.1 – 100kHz
Max marking speed – 10,000mm.s⁻¹
Operating temperature – 15°C - 40°C non condensing
Construction – Welded Steel with lift up door
Laser safe viewing window
Variable height component table for focusing
Fume extraction port
Max pulse energy – 1mJ
Max peak power – 12kW
Pulse duration – 25ns - 220ns
Min. spot size – <25µm
Control electronics – 19 inch rack mounted (5U) module

utilities

input voltage single phase + Earth, 50 or 60 Hz;
100 - 240 V
power requirement 500 W



UK Office
Avenue One, The Business Park,
Letchworth Garden City, Hertfordshire, SG6 2HB, UK.
Tel: +44 (0)1462 472400 Fax: +44 (0)1462 472444
e-mail: sales.uk@electrox.com

USA Office
5601 Fortune Circle, South Drive, Suite A,
Indianapolis, IN 46241, USA.
Tel: +1 317 248 2632 Fax: +1 317 240 5787
e-mail: sales.us@electrox.com

Asia Pacific Office
Level 27, Prudential Tower, 30 Cecil Street
Singapore 049712
Tel: (65) 6725 6223 Fax: (65) 6725 6224